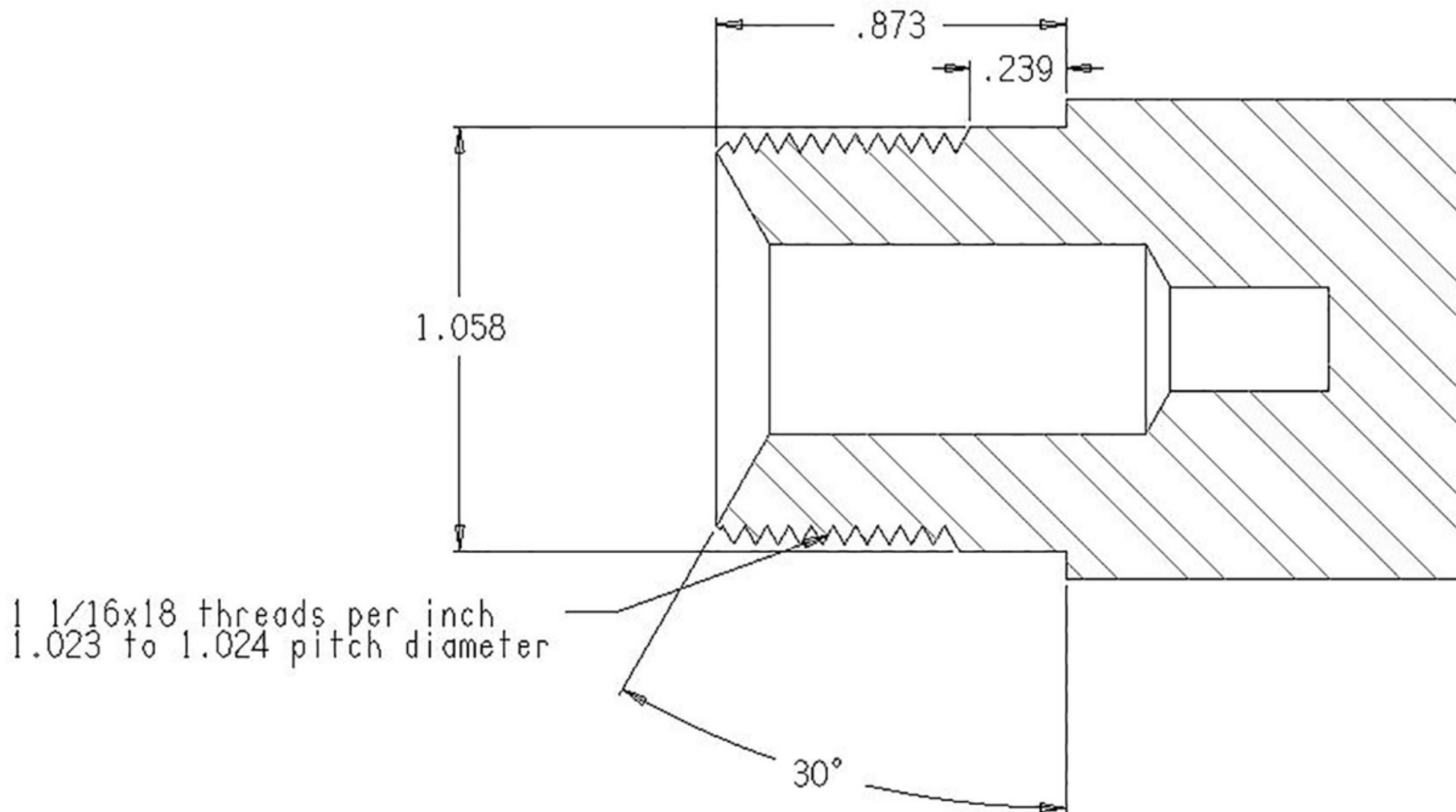


Borden Alpine, Timberline, Rimrock SSR and Rimrock LSR Thread Tenon When using coned bolt nose and pinned .25 inch recoil lug

Borden Alpine, Alpine Magnum, Timberline, Timberline Magnum, (Rimrock SSR&Rimrock LSR Ser # SR0126 and higher) barrel stub for single shot actions with coned nose bolts and with .25 inch thick PINNED Recoil Lug
IF a recoil lug other than a .25 thick lug is used then the .875 and .225 dimension should be adjusted appropriately



Dimensions are provided as a guide-gunsmiths should follow good practice and verify action using precision tools. Jim Borden 11/21/2013