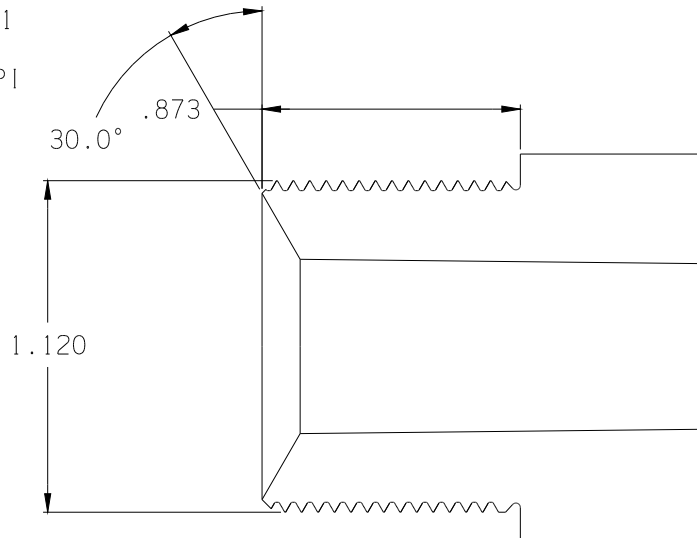


Borden Accuracy
 Borden Bigfoot Barrel Tenon dimensions
 for single shot action

max barrel tenon Pitch Diam is 1.0866
 Barrel tenon diameter 1.12 to 1.124

HS spec is .875 +/- .001

Thread is 1 1/8 x 18 TPI



Cone position is determined
 by bolt nose-bolt nose counterbore
 is .125 and need .005 to .01 clearance
 between bolt nose and back of barrel

All intellectual property represented on this drawing
 is the property of James F Borden at Borden Accuracy.
 This drawing is a guide and proper gunsmithing practices
 should be used to confirm action dimensions.

Borden Accuracy
 1325 Sheldon Hill Road
 Spriggville PA 18084
 58096652805

DESIGNER
 James F Borden

APPROVED

SIZE A	CAGE CODE	DWG NO	REV
SCALE	RELEASE DATE January 7, 2021	WEIGHT	SHEET

REVISIONS				
ZONE	REV	DESCRIPTION	DATE	APPROVED
		Bigfoot Single Shot Tenon	1/7/21	JFB

DWG NO	SH	REV
--------	----	-----