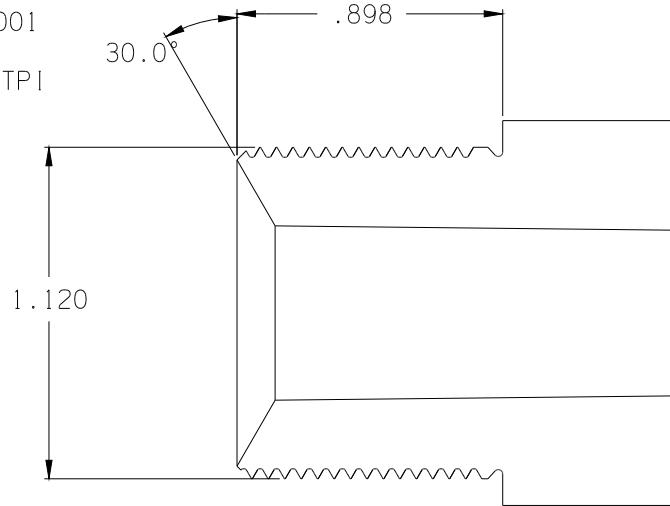


Borden Accuracy
Denali Barrel Tenon dimensions
for single shot action

max barrel tenon Pitch Diam is 1.0866
Barrel tenon diameter 1.12 to 1.124

HS spec is $.900 \pm .001$

Thread is 1 1/8 x 18 TPI



Cone position is determined
by bolt nose-bolt nose counterbore
is .125 and need .005 to .01 clearance
between bolt nose and back of barrel

All intellectual property represented on this drawing
is the property of James F Borden at Borden Accuracy.
This drawing is a guide and proper gunsmithing practices
should be used to confirm action dimensions.

B Borden Accuracy
1325 Sheldon Hill Road
Springsville PA 18954
58096652805

DESIGNER
James F Borden

APPROVED

SIZE A CAGE CODE DWG NO REV

SCALE RELEASE DATE January 7, 2021 WEIGHT SHEET

REVISIONS		DATE	APPROVED
ZONE	REV		
		1/7/21	JFB